



Flygt A-C Series Dry Pit Pumps

RELIABLE AND EFFICIENT FLUID HANDLING SOLUTIONS



Flygt A-C Series Dry Pit Pumps

Flygt (formerly Allis Chalmers Pump, Inc.) has more than 130 years of design and manufacturing experience in pumps and pumping systems. Flygt innovation has kept pace with today's demand for higher efficiency, greater reliability and state-of-the-industry manufacturing standards. Numerous impellers are available for the WSY, SSE, SSF and NS pump models with various performance characteristics, sphere sizes, number of impeller vanes, rotations, etc. This enables each pump to be custom designed to meet the specific application.

The heavy-duty, rugged cast construction and conservative mechanical design minimizes vibration and provides for long, trouble-free operation. The experience, capability, record of on-time delivery, support during installation/maintenance and performance of equipment has earned Flygt the reputation as one of the most reliable pump manufacturers in the world.

Flygt A-C Series non-clog pumps are designed to handle wastewater and other non-corrosive liquids with soft solids in suspension. Typical applications include municipal and industrial wastewater treatment, food processing and storm water runoff. With sizes ranging from the smallest - four inch discharge, up to the largest - 102 inch discharge, Flygt will surely have a solution for your pumping needs.

Externally adjustable rotating assembly permits easy renewal of critical operating clearances and pump efficiency.

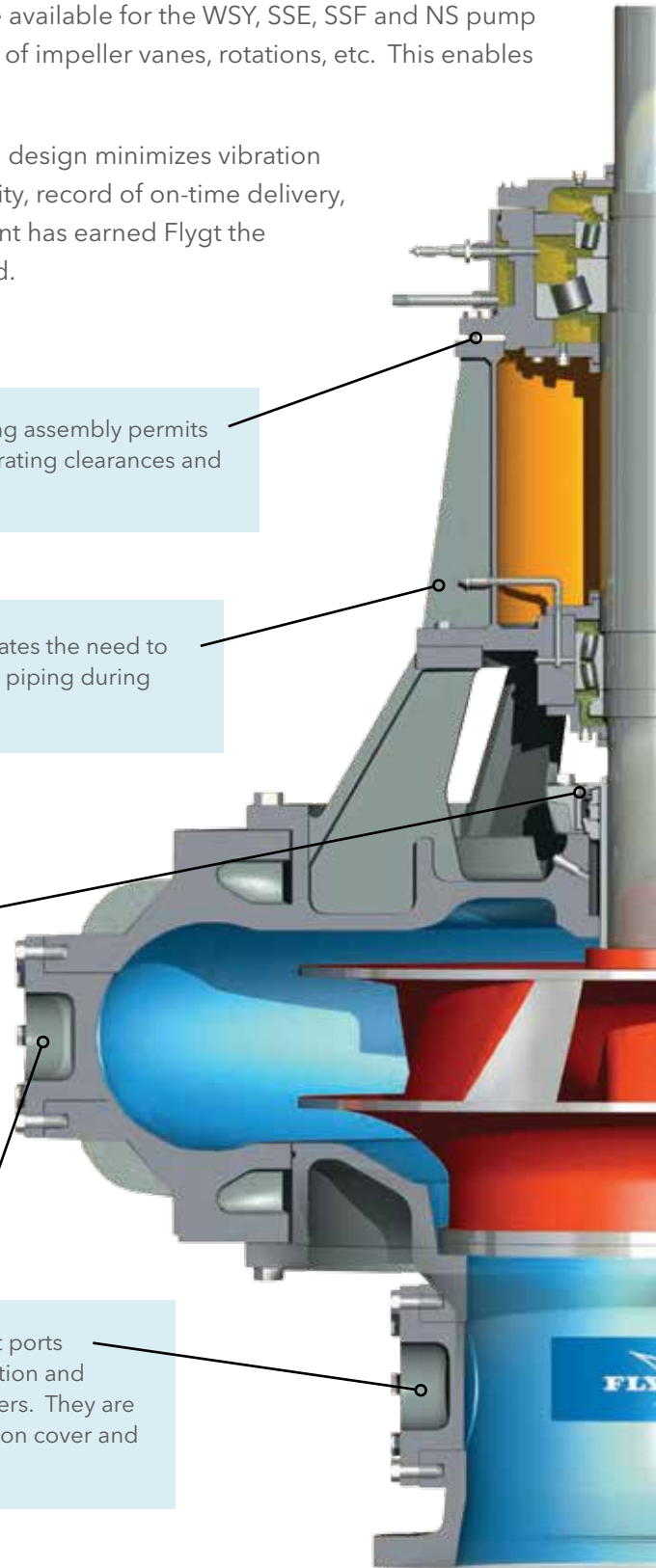
Back pull-out design eliminates the need to remove the casing from the piping during maintenance.

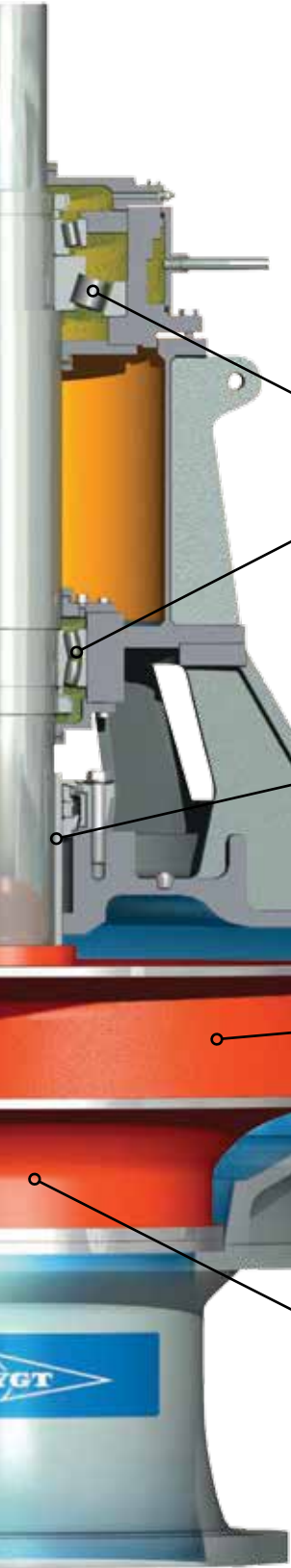
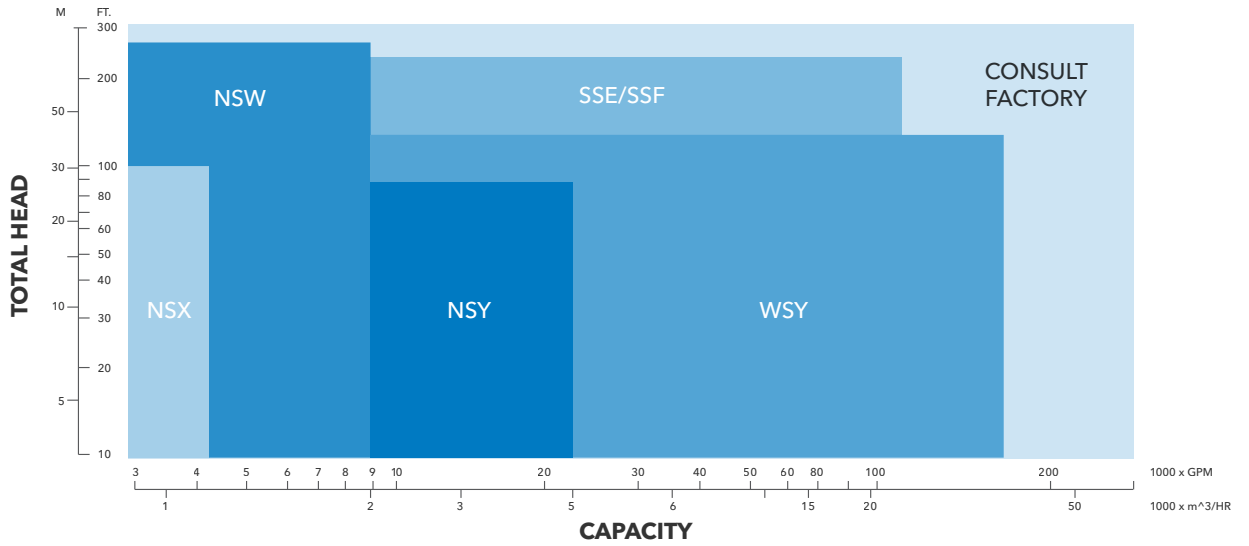
A wide range of sealing options are available to suit different applications, including packing, mechanical seal, or dynamic seal.



Dynamic Seal

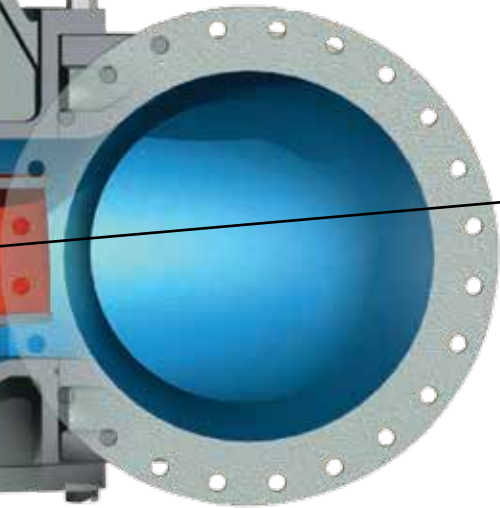
Hand hole clean-out ports provide easy inspection and access to the impellers. They are situated on the suction cover and the pump casing.





Heavy-duty bearings for longer bearing life.

Shaft Sleeve, equipped with an o-ring, shields the shaft from the pumping media. The sleeve also protects the shaft from wear at the stuffing box.



Contoured impeller nut prevents material from getting caught. The nut is secured with stainless steel set screws to prevent it from backing-off.

Flygt optional NSX Shearpeller is designed to handle fluids containing abrasives, large solids and up to 20% vapor.

Shearpeller option for NSX models

The Flygt Advantage



PERFORMANCE TESTING - with testing capabilities up to 300,000 GPM (68,000 m³/hr) the performance of your pump can be accurately verified before it leaves the factory.

CRITICAL SPEED ANALYSIS - performed on every rotor to ensure that the first critical speed is well above the pump operating speeds.

MECHANICAL DESIGN ANALYSIS - performed on every pump to determine the proper shaft size, bearing spans, wall thickness, bolting sizes & quantities, and other critical design features.

FEA & CFD ANALYSIS - in-house Finite Element Analysis and Computerized Fluid Dynamics analysis are available to ensure that there are no system resonant frequency or hydraulic concerns.

STARTUP ANALYSIS - determines the optimal starting sequence between the pump, motor and control valve, and confirms the ability of the drive to start the pump under any number of possible circumstances. Available upon request.

EXPERIENCED CUSTOM DESIGNS - every order is custom designed to match the specific pump configuration, mechanical design, hydraulic requirements and materials of construction dictated by the application and the contract documents.

PUMP QUALITY - all pump components and assemblies are inspected and documented in accordance with Flygt ISO 9000 certified quality program. Any special contract requirements are incorporated into the Inspection and Test Plan developed for each contract.

MODEL TEST DATA - the high efficiency hydraulics for each pump design have been extensively model tested over the full range of impeller diameters/tilts. Model testing in a closed loop system provides accurate measurement of all pump performance characteristics along with NPSHr values, hydraulic thrust values and the development of three quadrant curves (Karman-Knapp curves).



xylem
Let's Solve Water

Xylem, Inc.
14125 South Bridge Circle
Charlotte, NC 28273
Tel 704.409.9700
Fax 704.295.9080
855-XYL-H201 (855-995-4261)

Flygt is a brand of Xylem, whose 12,000 employees are addressing the most complex issues in the global water market.

www.xyleminc.com